

MT3 tower



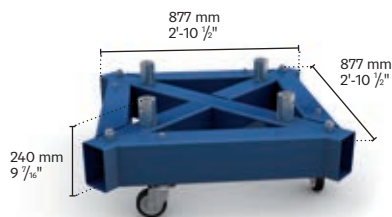
- High-capacity M520PT ladder truss series tower system - 13.5m (44.29 ft) standard height
- Sleeve block options for M400 & M520 & M950 ranges
- Reinforced head section with built-in feature for dead-hanging
- Sleeve block chain hoist connection bracket available
- Guy wire connection points via extra bolt-on hangers
- Optional tower erecting frame available
- Short or long outriggers (incl. stabilising braces) available
- Adjustable base feet with rubber pads for optimal friction
- Scaffold type base feet available on request

Truss series M520PT

Main Chords	mm	in	60x6 (2.36x0.24)
Diagonals	mm	in	30x3 (1.18x0.12)
Height	m	ft	13.5 (44.3)
Self weight	kg	lbs	576 (1270)

Components for MT3 13.5m tower

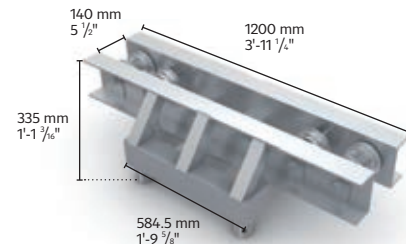
MT3-01 SteelBase	1 piece
MT3-02 HeadSection	1 piece
MT3-03 RTT SleeveBlock	1 piece
MT3-05 LongOutrigger	4 pieces
MT3-07 Hinges 4pcs	1 set
QTPT1000 1m	1 piece
QTPT3000 3m	4 pieces



MT3-01|SteelBase

Weight	
kg	lbs
76.00	(167.35)

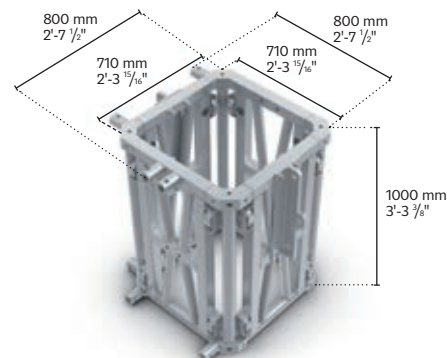
Steel base
For use with M520T QUATRO
Equipped with wheels for easy movement during setup.



MT3-02|HeadSection

Weight	
kg	lbs
49.40	(108.78)

Head section
Fitted with steel pulleys for 7 - 8mm (0.28 - 0.31') chain
Alternative dimensions available after consultation



MT3-03|RTT|SleeveBlock

Weight	
kg	lbs
112.00	(246.62)

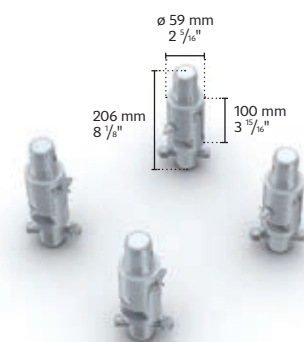
Sleeve Block FTT
Made with heavy-duty aluminium profiles connected with steel components
For use with M950 full range



MT3-05|LongOutrigger

Weight	
kg	lbs
35.10	(77.29)

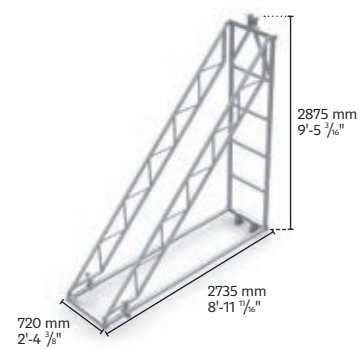
Long outrigger
14m (4.59') long, including scaffold type spindles



MT3-07|Hinges|4pcs

Weight	
kg	lbs
5.00	(11.02)

Hinges
Used to connect the vertical tower pieces and to allow for tilt-up assembly; set of 4pcs



MT3-11|Helper

Weight	
kg	lbs
81.00	(178.52)

Used for assistance in elevating the tower



MT3-10|FixSet

Weight	
kg	lbs
10.00	(22.20)

Used over MT3 mast top to secure the sleeve block