

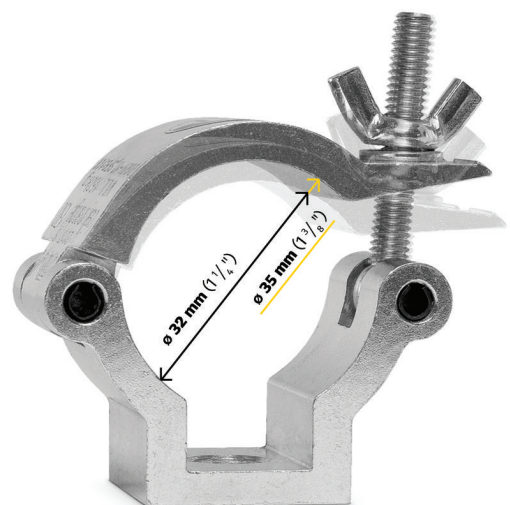
# Two cell clamps in one

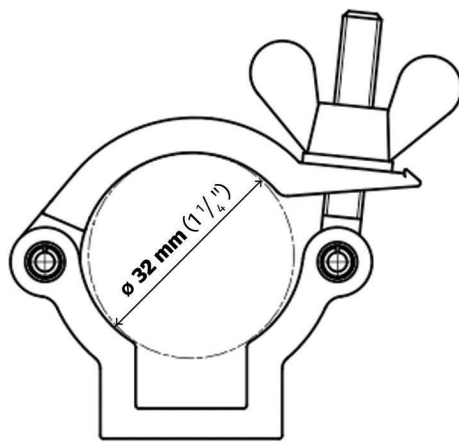
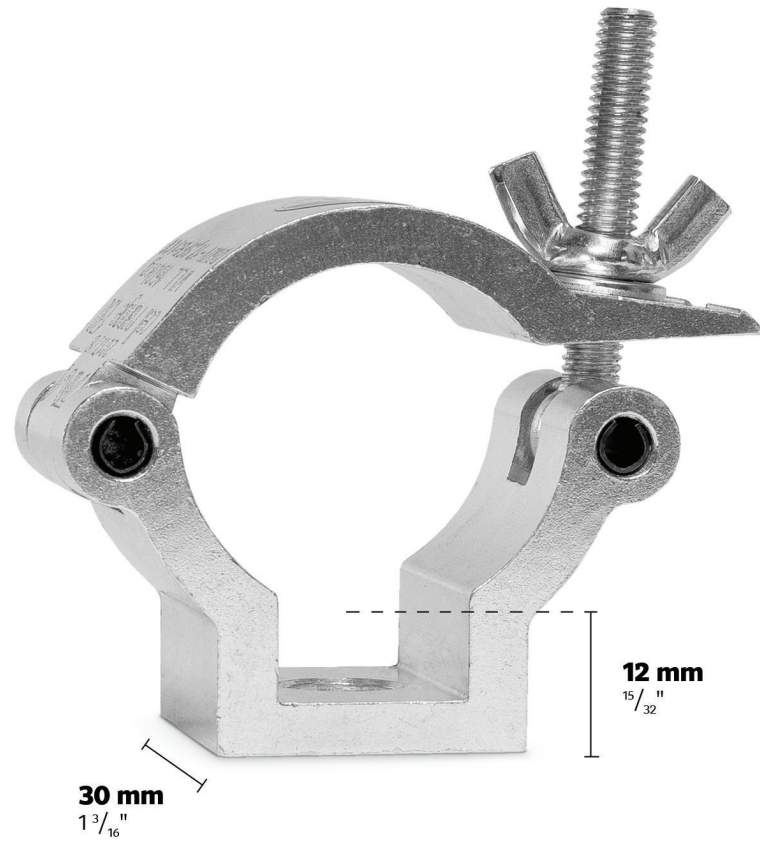


The new Cell 130 series from MILOS has been designed to fit on both 32 mm (1 1/4") and 35 mm (1 3/8") truss tubes, effectively providing twice as much value for your attachment needs! Use of M10 sized adjustment screw allows for use of eyes or other attachment points.

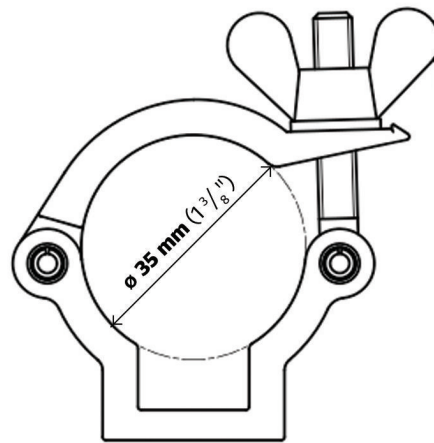
- Fits both 32 mm (1 1/4") and 35 mm (1 3/8") truss tubes
- 160 kg (353 lbs) WLL\* in accordance with DGUV 17
- CE certified
- Safety Factor 8:1
- Interchangeable M10 screw ensures flexible attachment points

\* WLL = Working Load Limit





Position 1



Position 2

**Technical specification:**

<b>Tube <math>\phi</math>:</b>	32 - 35 mm	$1\frac{1}{4}$ " - $1\frac{3}{8}$ "
<b>Weight:</b>	0.1 kg	0.2 lbs
<b>Working Load Limit:</b>	160 kg (DGUV 17)	353 lbs (DGUV 17)
<b>Safety Factor:</b>	8:1	
<b>Material:</b>	Aluminium Alloy EN-AW 6063 T66	

**Description:** The new Cell 130 series from MILOS has been designed to fit on both 32mm ( $1\frac{1}{4}$ " ) and 35mm ( $1\frac{3}{8}$ " ) truss tubes, effectively providing twice as much value for your attachment needs! Use of M10 sized adjustment screw allows for use of eyes or other attachment points.