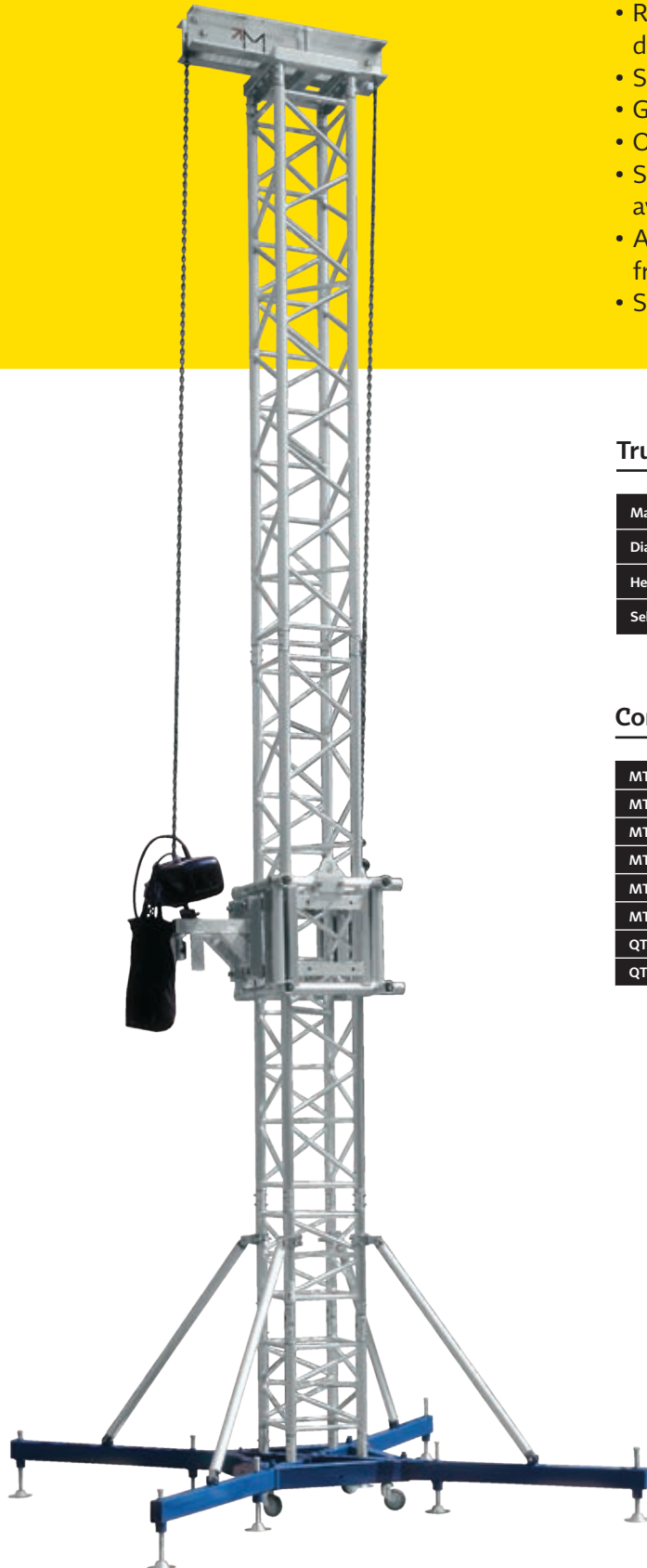


MT2 tower



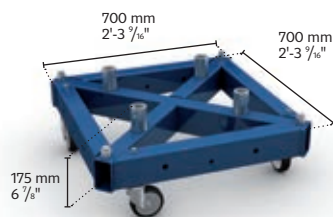
- Heavy-duty M390KT ladder truss series tower system - 12.5 m (41.0 ft) standard height
- Sleeve block options for M400 & M520 & M950 ranges
- Reinforced head section with built-in feature for dead-hanging
- Sleeve block chain hoist connection bracket available
- Guy wire connection points via extra bolt-on hangers
- Optional tower erecting frame available
- Short or long outriggers (incl. stabilising brace) available
- Adjustable base feet with rubber pads for optimal friction
- Scaffold type base feet available on request

Truss series M390KT

Main Chords	mm	in	50x4 (2x0.16)
Diagonals	mm	in	25x3 (0.98x0.12)
Height	m	ft	12.5 (41)
Self weight	kg	lbs	352 (776)

Components for MT2 12.5m tower

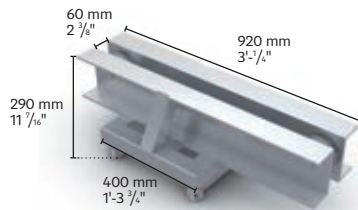
MT2-01B SteelBase	1 piece
MT2-02B HeadSection	1 piece
MT2-03 QTP/RTO SleeveBlock	1 piece
MT2-05 LongOutrigger	4 pieces
MT2-07B Hinges 4pcs	1 set
MT2-08 BracketForMotor Base	1 piece
QTKT500 0.5m	1 piece
QTKT3000 3m	4 pieces



MT2-01B|SteelBase

Weight	
kg	42.00 (92.48)

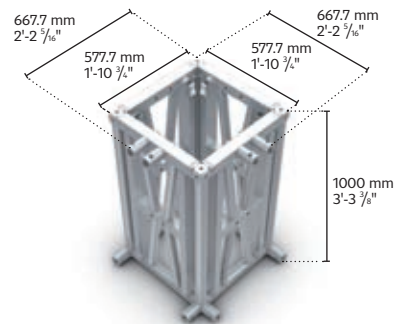
Steel base
For use with M390KT QUATRO
Equipped with wheels for easy movement during setup.



MT2-02B|HeadSection

Weight	
kg	25.00 (55.05)

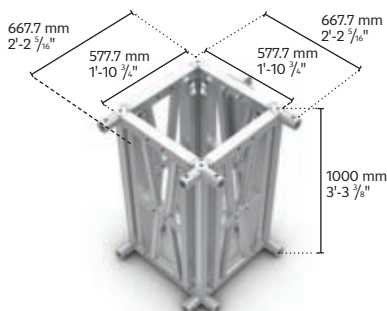
Head section
Fitted with steel pulleys for 7 - 8mm (0.28 - 0.31") chain
Alternative dimensions available after consultation



MT2-03|FTT|SleeveBlock

Weight	
kg	80.00 (176.37)

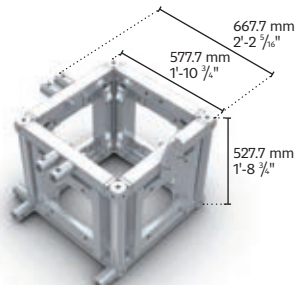
Sleeve block FTT
Made with heavy-duty aluminium profiles connected with steel components
For use with M950 folding truss



MT2-03|RTTH|SleeveBlock

Weight	
kg	80.00 (176.37)

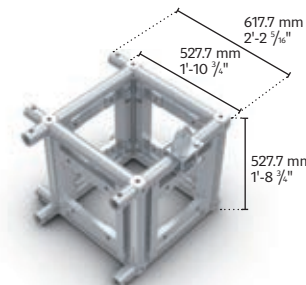
Sleeve block RTT
Made with heavy-duty aluminium profiles connected with steel components
For use with rectangular M950



MT2-03|FTP|RTO|SleeveBlock

Weight	
kg	49.00 (107.90)

Sleeve Block FTP
Made with heavy-duty aluminium profiles connected with steel components
For use with rectangular M400 & folding M520



MT2-03|QTP|RTO|SleeveBlock

Weight	
kg	49.00 (107.90)

Sleeve block QTP
Made with heavy-duty aluminium profiles connected with steel components
For use with rectangular M400 & M520 QUATRO



MT2-04|ShortOutrigger

Weight	
kg	6.00 (13.21)

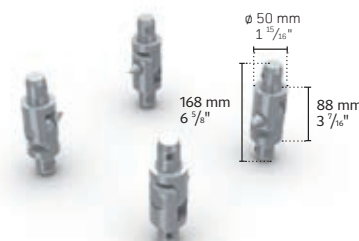
Short outrigger
Adjustable spindles; rubber pads



MT2-05|LongOutrigger

Weight	
kg	21.00 (46.24)

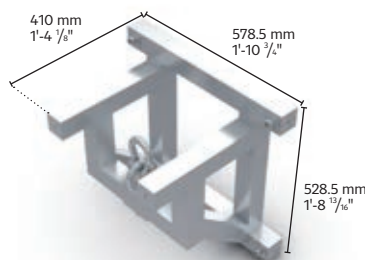
Long outrigger
14m (45.9') long, including adjustable spindles; rubber pads



MT2-07B|Hinges|4pcs

Weight	
kg	2.40 (5.25)

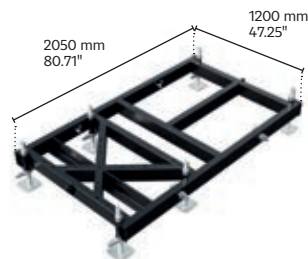
Hinges
Used to connect the vertical tower pieces and to allow for tilt-up assembly; set of 4pcs



MT2-09|BracketForMotor|Sleeve

Weight	
kg	16.00 (35.26)

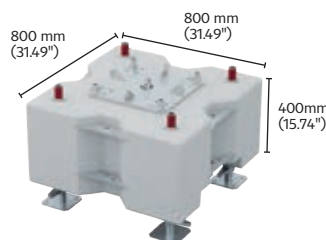
Bracket for chain hoist
Used for electric chain hoist attachment to sleeve block to achieve max. loading



MT-IconBase-01|STEEL

Weight	
kg	156.00 (343.00)

Footprint extendable by outriggers on front and/or rear side to up to 7980x1200 mm



Concrete Ballast Base MCBB

Weight	
kg	550 (1212.5)

M290/M390 tower option