

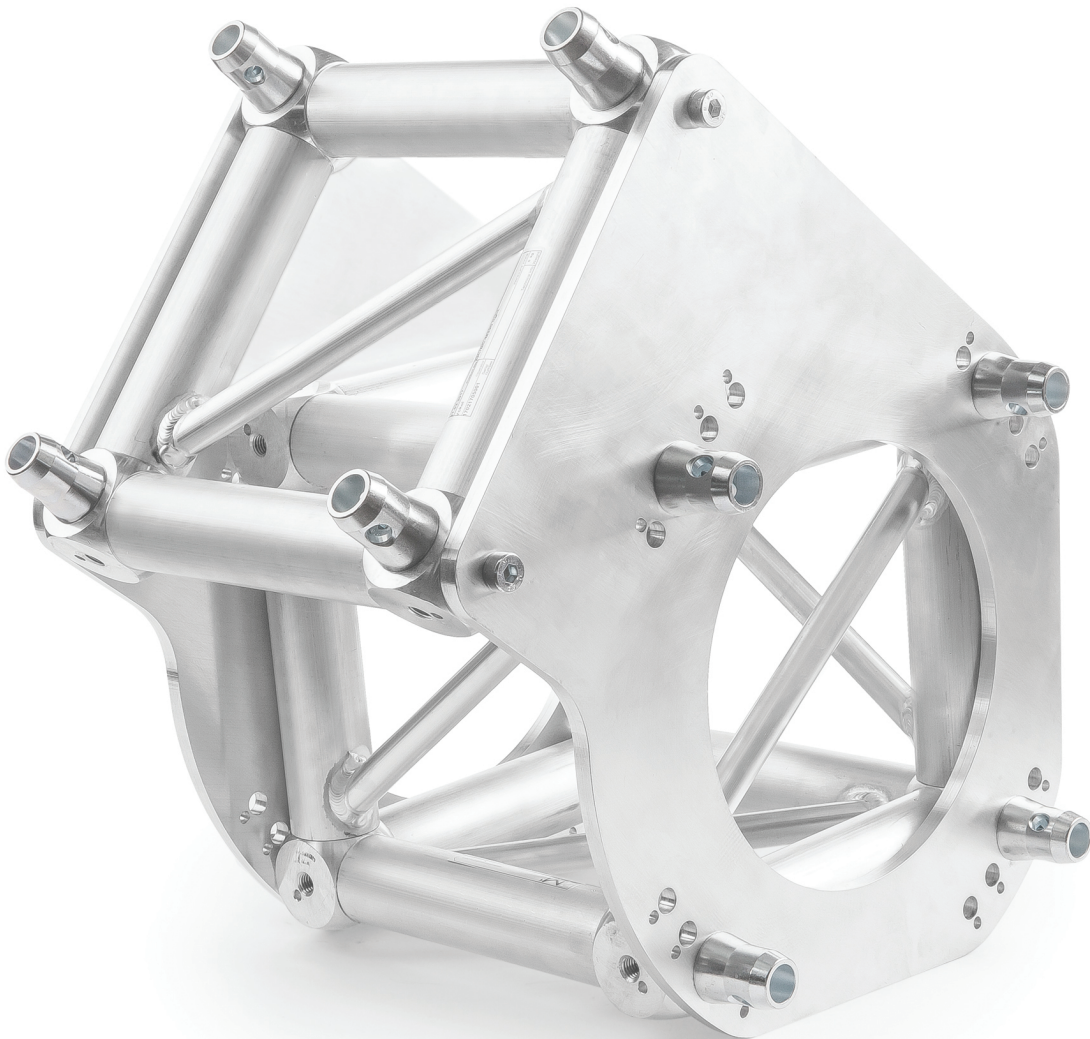
# Corner flexibility to the MAX

The MR1 Vario Corner breathes new life into your corner inventory by giving you the ability to create 4 different angled corners, thereby greatly reducing the need to invest in bespoke corner elements for building MR1 roof systems!

Consisting of a heavy duty multicube, duo truss cube frame and 2 special machined aluminium plates (with predrilled holes), the Vario Corner equips you with the angles needed to make a 6, 8, 10 and even

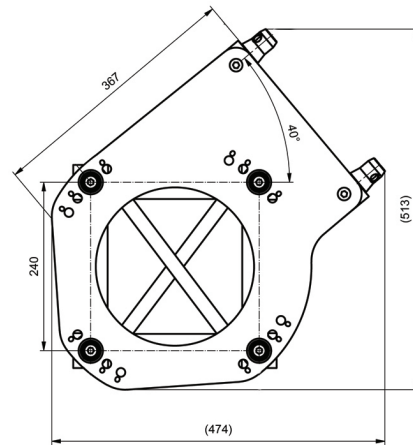
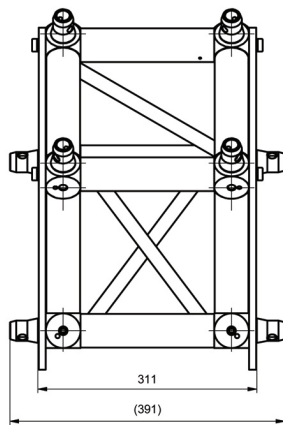
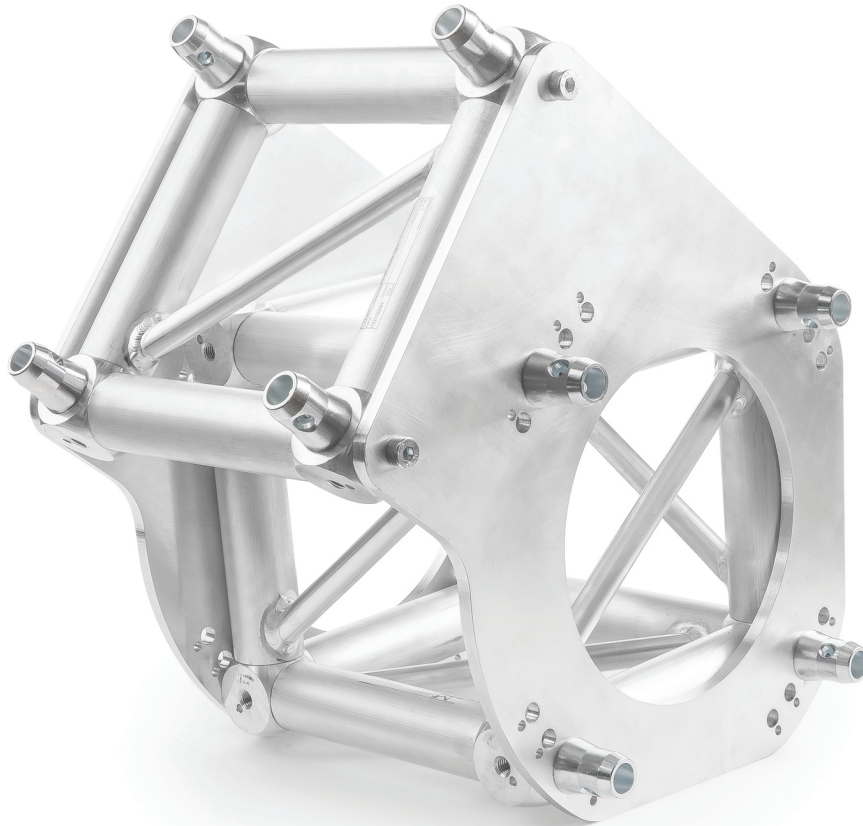
12 metre wide MR1 arched roof. The strength of the plate matches, and in some cases even exceeds, the required parameters to build these roof systems.

- Unique design gives you 4 corners for the price of 1
- Pre-drilled holes in plate allow for use in 6, 8, 10 and 12 metre wide MR1 roofs
- Minimal welding
- Industrial construction



MILOS MULTICUBES

# MR1 VARIO CORNER



## Technical specification:

<b>Product code:</b>	<b>MR1 VC30B 40°</b>	
<b>Width:</b>	391 mm	15.39"
<b>Length:</b>	474 mm	18.66"
<b>Height:</b>	513 mm	20.20"
<b>Weight:</b>	16.6 kg	36.6 lbs
<b>Material:</b>	Aluminium Alloy EN-AW 6082 T6	
<b>Connectors:</b>	CON25 / CON56 / CON63 / CON64	



**Headquarters**  
Spindlerova 286  
41301 Roudnice nad Labem, CZ  
T +420 416 810 800  
www.areafourindustries.com

**Germany**  
Johann-Krane-Weg 27  
48149 Münster, DE  
T +49 251 202 4014-0  
www.areafourindustries.de

**United Kingdom**  
Unit 5-6 Beechwood Estate, Cattle Dyke  
Gorefield Wisbech Cambridgeshire  
PE13 4NR, UK  
T+44 (0)1945 410700  
www.areafourindustries.co.uk

**USA**  
5421 N. National Dr.  
Knoxville, TN 37914, USA  
T +1 800 411 0065  
www.areafourindustries.us