

# MRT1 PA Fly Tower



- Compact, heavy-duty M290 truss series
- Lifting operations with either electrical or manual chain hoist
- Head section equipped with double pulley system for attachment of safety chain or safety wire parallel to lifting chain
- Multiple attachment points on base for connection of hoists and safeties

## Truss series M290V

Main Chords	mm	in	48 x 3 (1.89 x 0.12)
Diagonals	mm	in	16 x 2 (0.62 x 0.08)
Height	m	ft	8 (26.3)
Self weight	kg	lbs	178 (392)
WLL	kg	lbs	750 (1653)

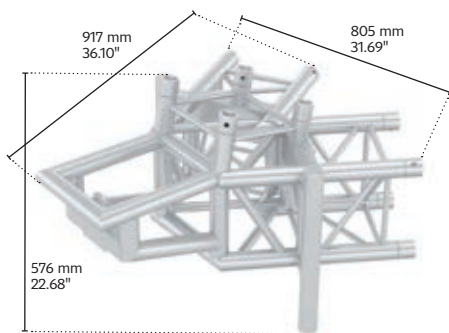
## Components for MRT1 8m tower

MRT1-01B BaseCorner	1 piece
MRT1-02B HeadSection	1 piece
MRT1-03B ScrewjackAdapter	2 pieces
MRT1-04 StabilizerHorizontalR	1 piece
MRT1-04 StabilizerHorizontalL	1 piece
MRT1-05 StabilizerVertical	1 piece
MRT1-06 StabilizerTube	2 pieces
MRT1-07B Hinges 4pcs	1 set
ScrewjackTR38x1-590	6 pieces
QTV1000 1m	1 piece
QTV3000 3m	4 pieces

## Operational specifications

Design standards	DIN EN 13814	Fairground and amusement park machinery and structures
	DIN EN 1991 / Eurocode 1	Actions on structures
	DIN EN 1999 / Eurocode 9	Design of aluminium structures
	DIN EN 1993 / Eurocode 3	Design of steel structures
Wind management	In service	17.8 m/s - 64 km/h - 40 mph (Max. gust wind speed)
	Out of service	28 m/s - 100 km/h - 62 mph (Max. gust wind speed)

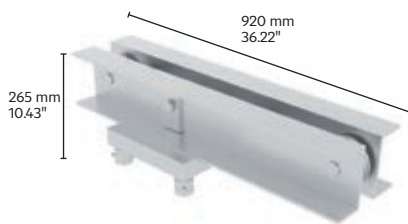
Ballast	750 kg payload with 3,0 m <sup>2</sup> front size and 2,5 m <sup>2</sup> side size	→ ballast 250 kg per end of long legs + 320 kg on back side
	750 kg payload with 3,0 m <sup>2</sup> front size and 2,5 m <sup>2</sup> side size	→ ballast 1000 kg centric on a cross beam placed on top of the legs
	400 kg payload with 1,5 m <sup>2</sup> front size and 1,0 m <sup>2</sup> side size	→ ballast 500 kg centric on a cross beam placed on top of the legs



**MRT1-01B|BaseCorner**

**Weight**  
 kg lbs **10.8 (23.8)**

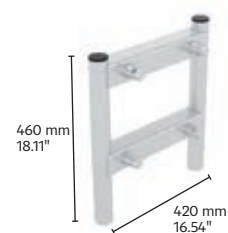
For use with M290 series. Equipped with bracket for chain hoist



**MRT1-02B|HeadSection**

**Weight**  
 kg lbs **14.5 (32)**

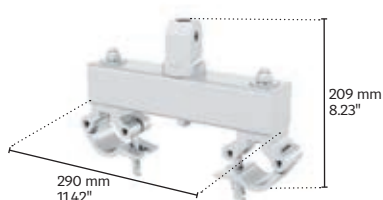
Fitted with steel pulleys for 7 - 8mm (0.28-0.31") chain



**MRT1-03B|ScrewjackAdapter**

**Weight**  
 kg lbs **6.5 (14.3)**

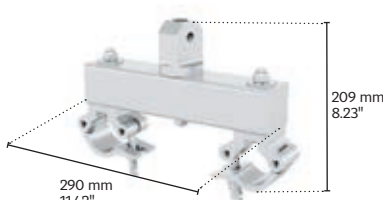
Adapter stand for screwjacks



**MRT1-04|StabilizerHorizontalR**

**Weight**  
 kg lbs **2.6 (5.7)**

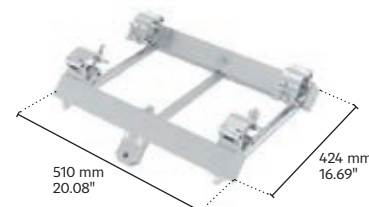
Stabiliser attachment horizontal Right



**MRT1-04|StabilizerHorizontalL**

**Weight**  
 kg lbs **2.6 (5.7)**

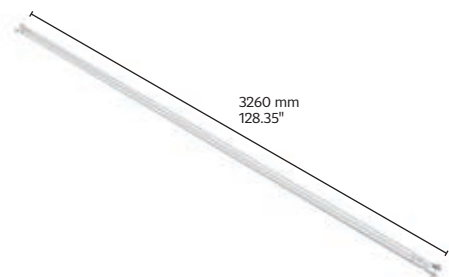
Stabiliser attachment horizontal Left



**MRT1-05|StabilizerVertical**

**Weight**  
 kg lbs **7.5 (16.5)**

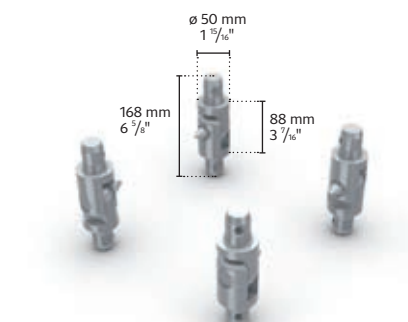
Stabiliser attachment vertical



**MRT1-06|StabilizerTube**

**Weight**  
 kg lbs **10.8 (23.8)**

Stabiliser tube 60x6 mm



**MRT1-07B|Hinges|4pcs**

**Weight**  
 kg lbs **2.40 (5.28)**

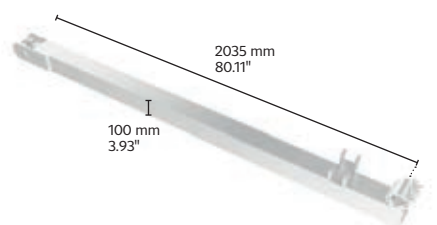
**Hinges**  
 Used to connect the vertical tower pieces and to allow for tilt-up assembly; set of 4pcs



**ScrewjackTR38x1-590**

**Weight**  
 kg lbs **3.2 (7.00)**

Screwjack



**MRT1 Helper**

**Weight**  
 kg lbs **21.00 (46.29)**

Used for assistance in elevating the tower