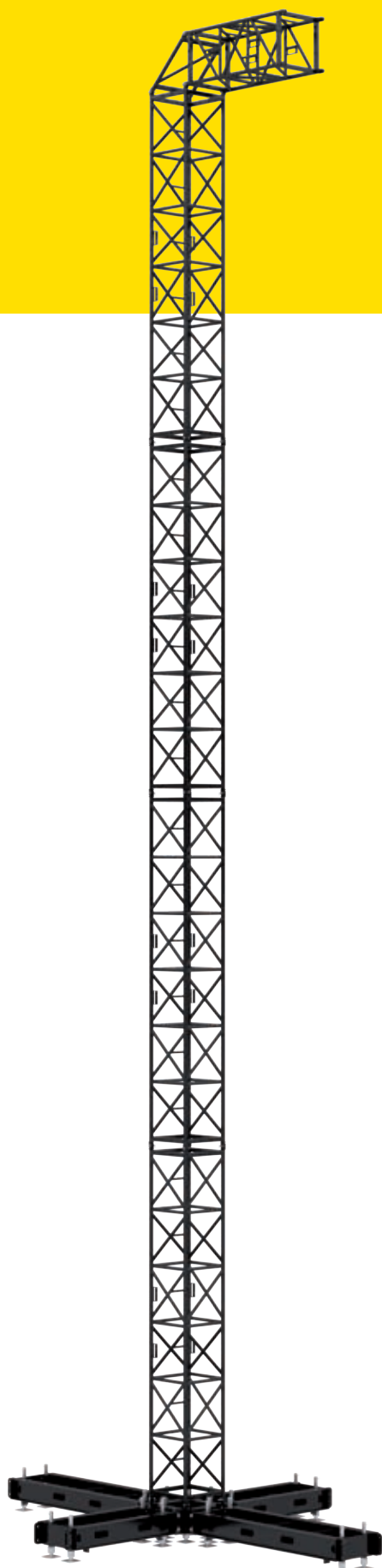
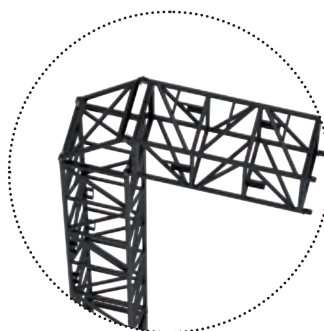


S-MT-PA-Steel PA Tower



- Constructed from MILOS S-QTQT Ultra High-Strength Steel Truss (780 x 780mm; 40 metre spans with UDL 76kg/m)
- Fly up to 2,500kg PA Systems up to 20 metres high
- Integrated steel base with outriggers (3m outriggers at front/back and 2m on each side)
- Steel base lugs feature a variety of guy wire attachment points
- Multiple attachment points on base for connection of hoists and safeties



Size and weight capacities:

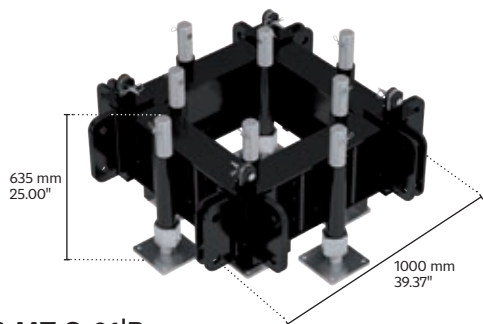
Front face of PA:	m	ft	10 m ² (32.00ft)
Side face of PA:	m	ft	5m ² max. (16.40ft)
Loading capacity:	kg	lbs	2.500 kg

S-MT-PA

Main Chords	mm	in	60.3 x 4 (2.37 x 0.16)
Diagonals	mm	in	48.3 x 3.2 (1.9 x 0.1)
Height	m	ft	21.3 (69.88)
Self weight	kg	lbs	3 850 (8487)

Components for Tower

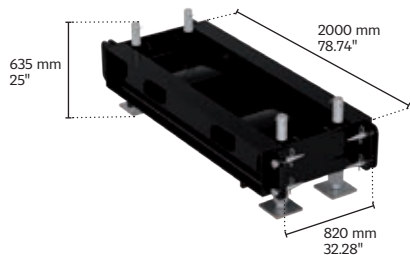
S-MT-Q-01 Base	1 piece
S-MT-Q-05 Outrigger2000	2 pieces
S-MT-Q-05 Outrigger3000	2 pieces
S-QTQT5000 5m	4 pieces
S-BTQT1018sp	1 piece
S-QTQT2000 2m	1 piece



S-MT-Q-01|Base

Weight	
kg	495 (1091.28)

A robust steel base that is compatible with our steel S-QTQT truss. It includes 8 large steel spindles and high-grade steel outrigger connections on all sides for providing extra strength and stability to the tower.



S-MT-Q-05|Outrigger2000

Weight	
kg	440 (970.03)

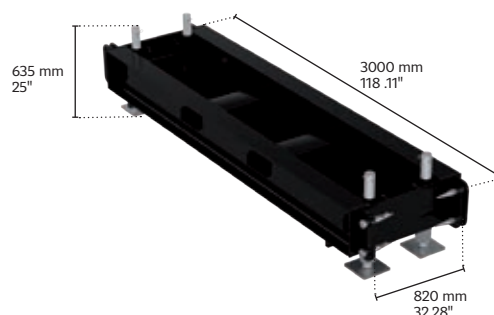
This heavy-duty steel outrigger provides extra stability for your steel towers. It comes with four large spindles and features a wide range of lengths for added flexibility for construction of stable grids.



S-BTQT1018SP

Weight	
kg	35 (77.16)

The S-BTQT1018sp provides strong support for the cantilever on the Steel PA Tower.



S-MT-Q-05|Outrigger3000

Weight	
kg	540 (1190.47)

This heavy-duty steel outrigger provides extra stability for your steel towers. It comes with four large spindles and features a wide range of lengths for added flexibility for construction of stable grids.

