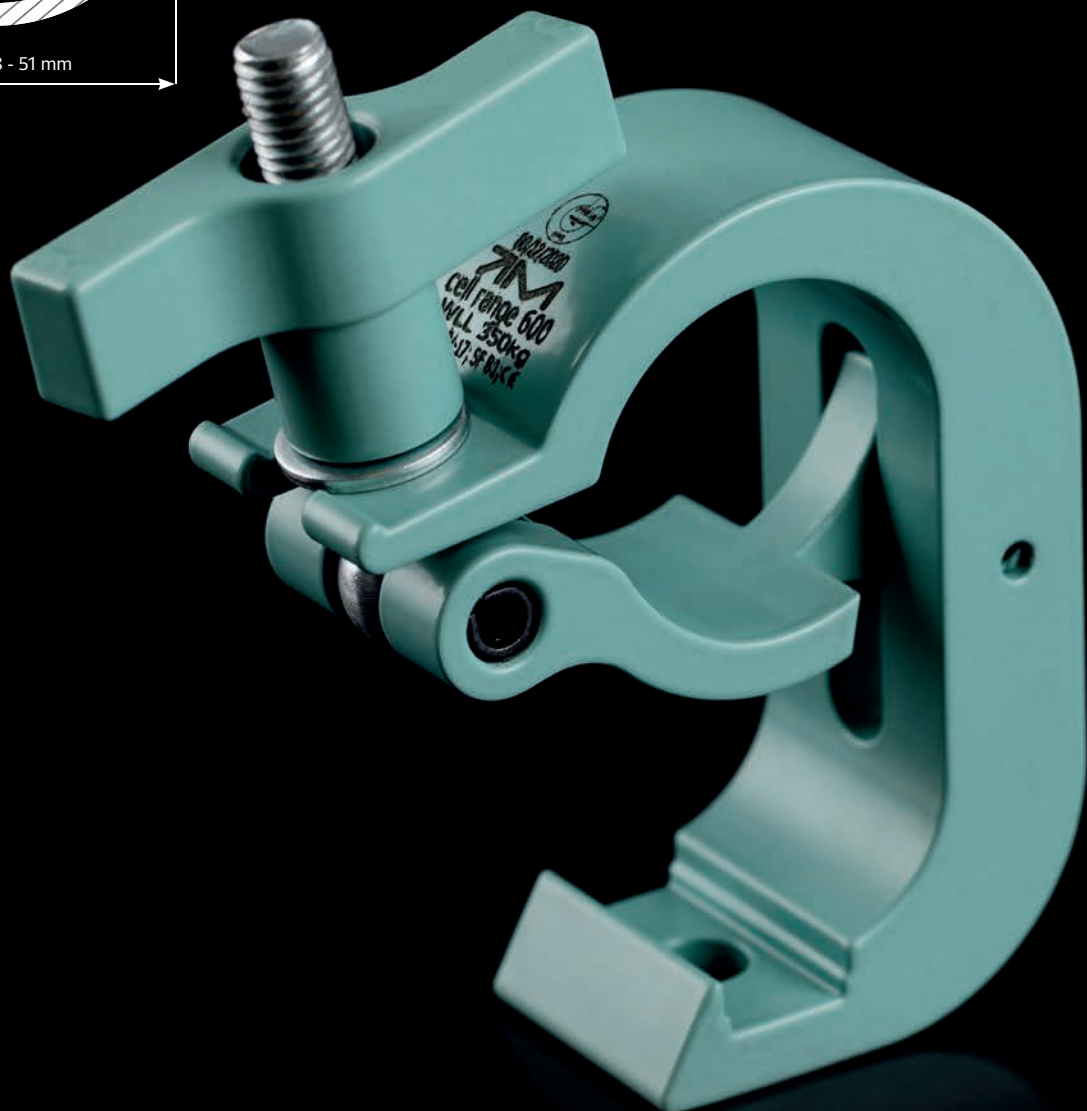
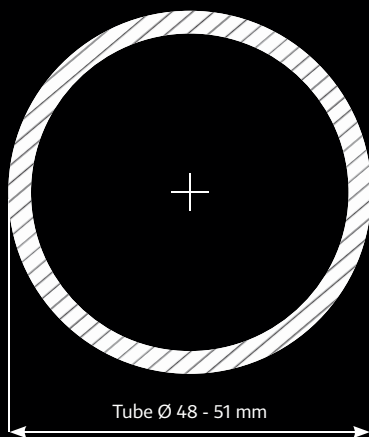
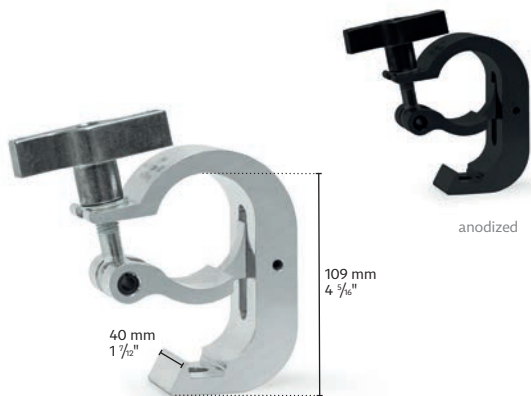


# CELL600

- Hook clamp series designed for 48-51mm (1 7/8"-2") diameter tubes
- Quick & easy attachment solution for moving heads & heavy fixtures
- Precision extruded high tensile aluminium alloy
- DGUV17/BGV C1 rating
- Supplied with M12 bolt & locking knob
- Mounting hole for up to 13mm (1/2") bolts
- Compatible with M290 / M390 / M400 / M520 / M760 / 4GS-35 / 4GS-50 / 4GS-62
- Polished surface with laser markings
- Powder coated versions available on request
- Rated with SF 8:1 (kg) DGUV17/BGV C1 (SWL1)
- Rated with SF 4:1 (kg) 2006/42/EC (SWL2)
- Black anodized versions available



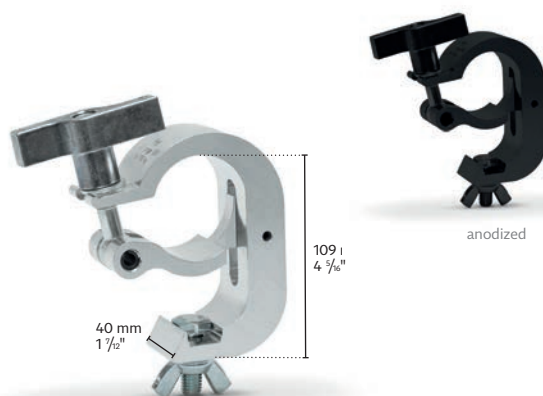


**CELL601 / CELL601|anodized**

Basic clamp

	SWL1	SWL2	Weight	Tube Ø
kg	350 (771)	700 (1543)	0.50 (1.10)	48-51 mm (1.89"-2")
lbs				

Basic clamp can be used for most applications.

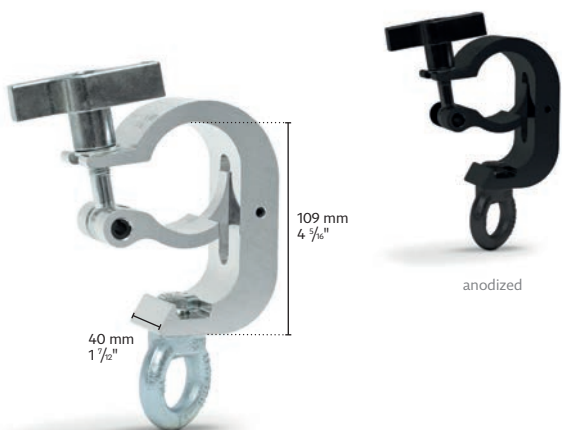


**CELL602 / CELL602|anodized**

Basic clamp with bolt and wingnut

	SWL1	SWL2	Weight	Tube Ø
kg	350 (771)	700 (1543)	0.58 (1.28)	48-51 mm (1.89"-2")
lbs				

Clamp supplied with M12 x 35 bolt and wingnut.



**CELL603 / CELL603|anodized**

Clamp with lifting eye

	SWL1	SWL2	Weight	Tube Ø
kg	350 (771)	700 (1543)	0.75 (1.65)	48-51 mm (1.89"-2")
lbs				

Clamp supplied with steel eye for attachment of ropes or cables.

