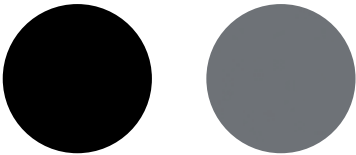


Milos

PRODUCT NAME:
BASE PLATE CART

Safely Transporting Base Plates

Available in



The New Base Plate Cart

Milos cares for its customers. Recognising the need for a safe and reliable, means to transport items such as the heavy steel base plates used with our range of aluminium trusses, the product designers at Milos have come up with the perfect solution to transfer these bulky, heavy items. The all-welded aluminium Milos BP-M-B-K 600x600 Cart is specifically created to transport and store up to 8 pcs

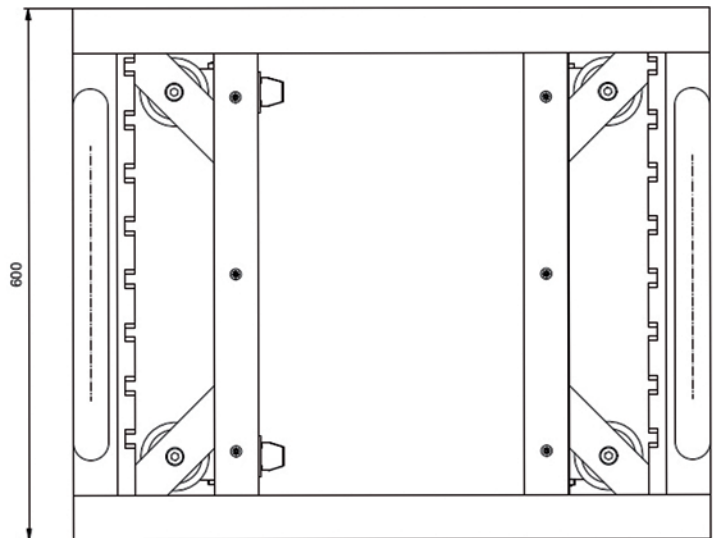
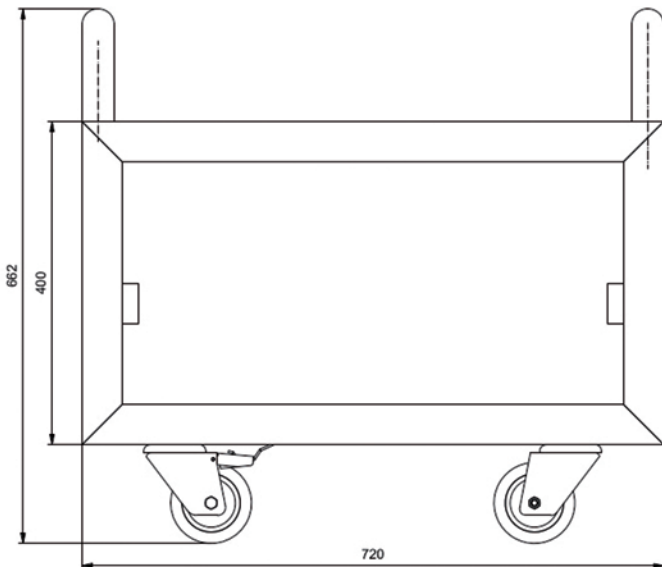
600x600mm steel base plates, therefore optimizing all-important transport space. Castor wheels with an added braking system come as standard, and all carts are fitted with polyamid base plate holders to avoid any scratching of the actual base plates. Ease of handling is guaranteed, and the carts are stackable when empty, allowing you to save essential storage space when not in use.

Milos

Safely Transporting Base Plates

PRODUCT NAME:
BASE PLATE CART

- made from aluminium
- handle for easy handling
- polyamid baseplate holders
- up to 8 steel baseplates 600x600 mm
- castor wheels with brake as standard
- 600 mm wide for optimize transport space
- stackable while empty to save space when not in use



Technical specifications:

Product code	BP-M-B-K 600x600
Weight	22.00 kg
Height	662 mm
Width	720 mm
Depth	600 mm
Material	EN-AW 6082 T6