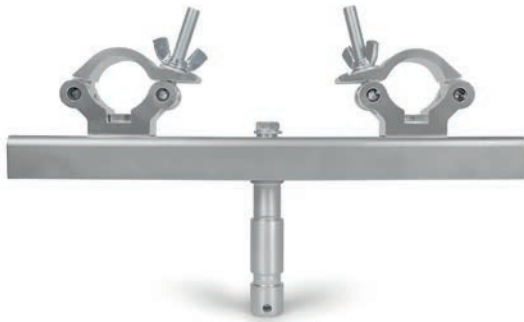


Cell Clamps Accessories

- Adjustable width of truss adaptors provides safe and reliable connection of truss
- Swivel truss adaptor prevent potential bending damages of truss during lifting
- User-friendly laser engraving on truss adaptors
- Universal TV pin for connection
- Black color available



TRUSS-ADAPTOR-M290|M400|FIXED

kg	lbs	SWL1	Weight	Tube Ø
		200 (440)	2.93 (6.46)	48-51 mm (1.89"-2")



TRUSS-ADAPTOR-M290|M400|SWIVEL

kg	lbs	SWL1	Weight	Tube Ø
		200 (440)	3.00 (6.62)	48-51 mm (1.89"-2")



CCBM12|EYE

kg	lbs	SWL1	Weight
		100 (202)	0.30 (0.66)



CON22|M12

Universal spigot

Diameter (mm/in)	Length (mm/in)	Weight (kg/lbs)	Inner thread
19 (0.74)	66 (2.59)	0.23 (0.51)	M12



CON24-M12

CON24-M10

TV spigot

Diameter (mm/in)	Length (mm/in)	Weight (kg/lbs)	Inner thread
28 (1.10)	136 (5.35)	0.62 (1.37)	M12
28 (1.10)	136 (5.35)	0.63 (1.39)	M10



BBA-CBD50-1000

Brace Boom Arm

Cantilever arm length 1000mm (39.37 in)	Weight (kg/lbs)
Diagonal support length 1000mm (39.37 in)	4.20 (9.26)

WLL varies 120kg-160kg depends on load case. Min. torque 15 Nm

